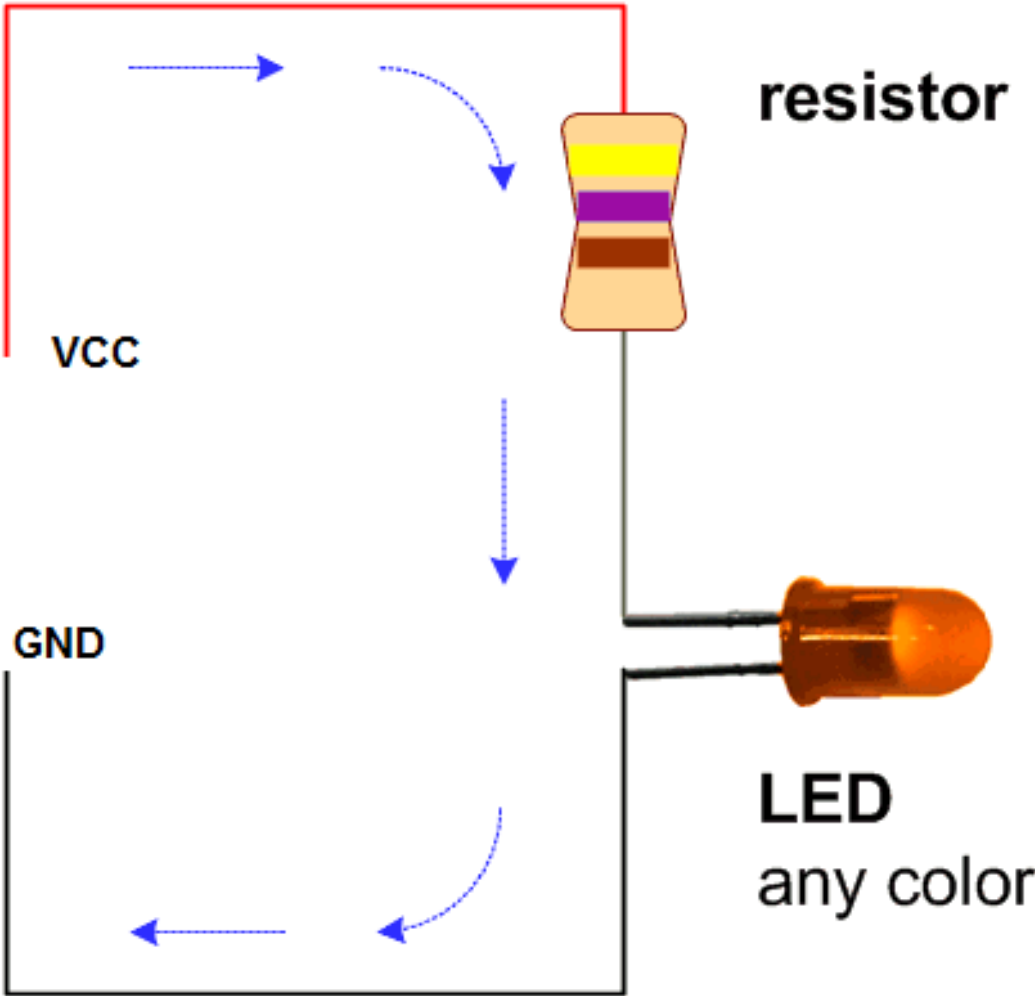


Arduino Basics

Rajeev Dwivedi, PhD

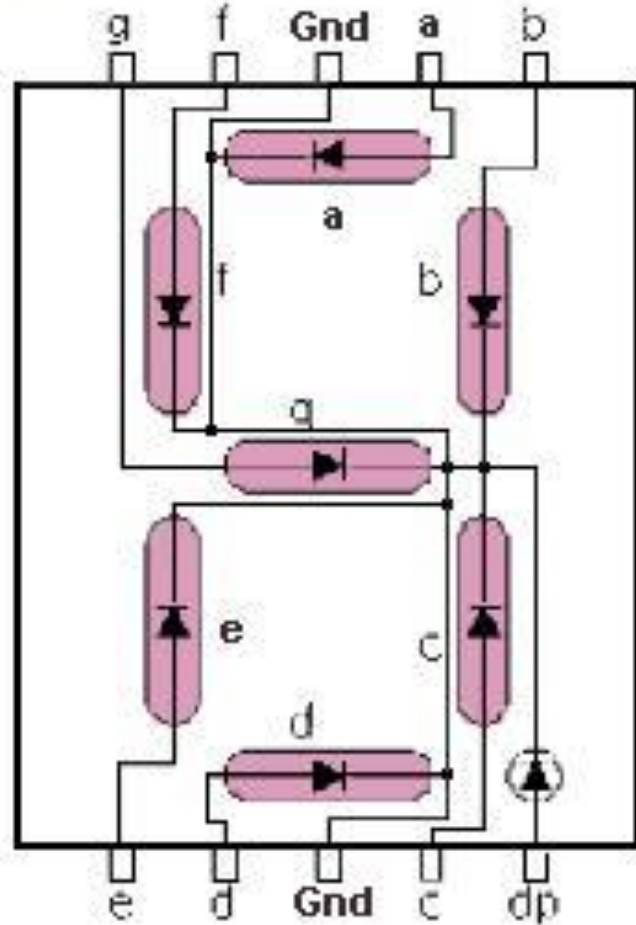
A simple circuit



Seven Segment Display

To Be used

Common Cathode



Common Anode

