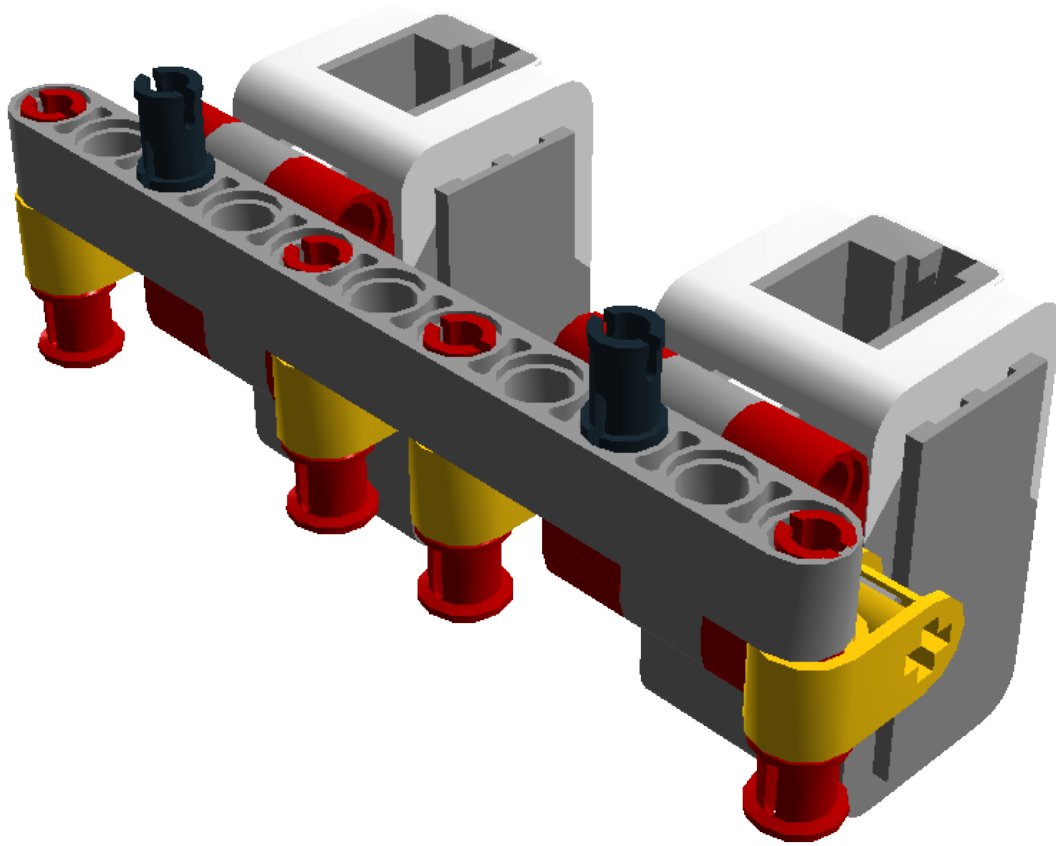
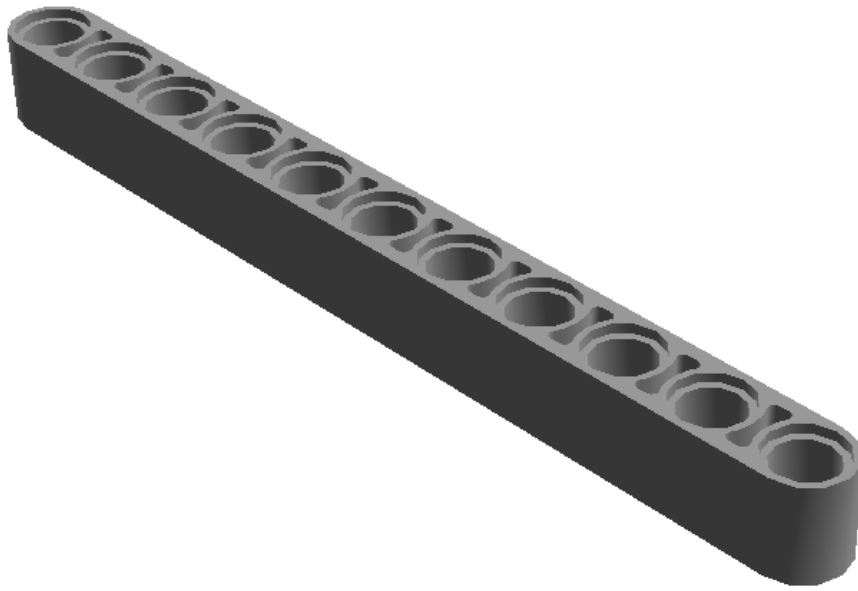
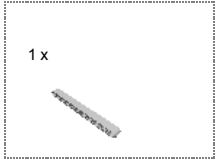


Model Name:
ColorSensorAssembly1
Number of Bricks: 21



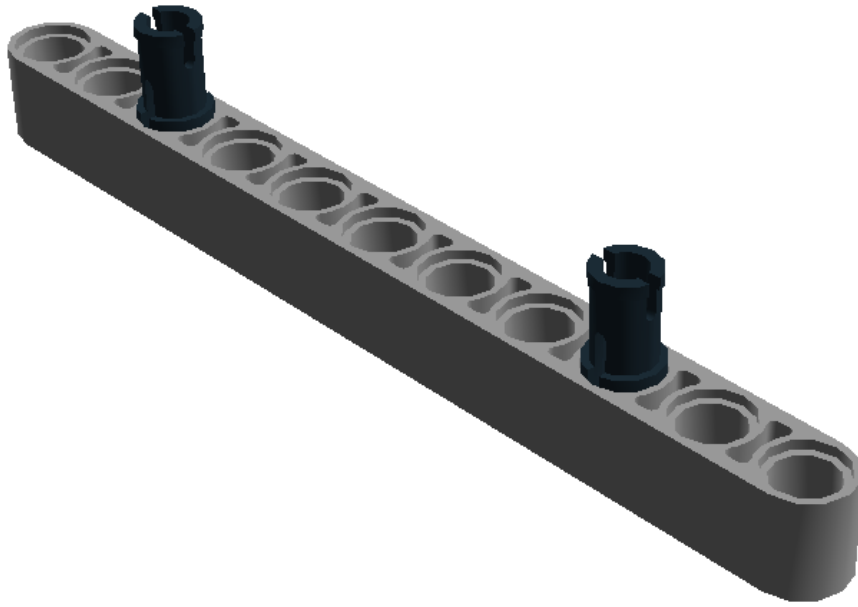
Design Created by Satkriti Solutions LLC

Step 1 of 10



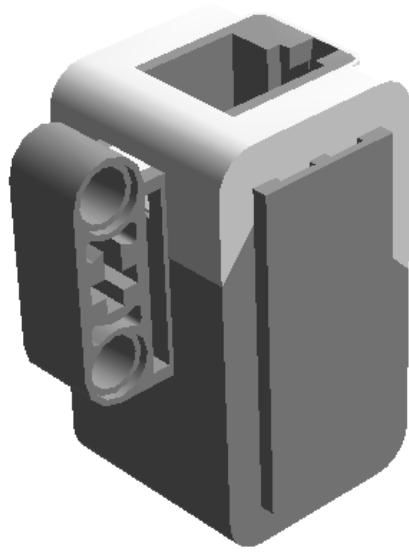
Step 2 of 10

2 x



Step 3 of 10

1 x



Step 4 of 10

1 x



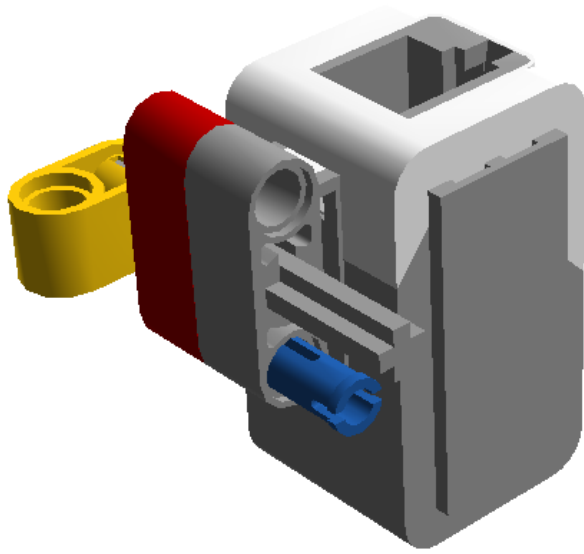
1 x



1 x



1 x



Step 5 of 10

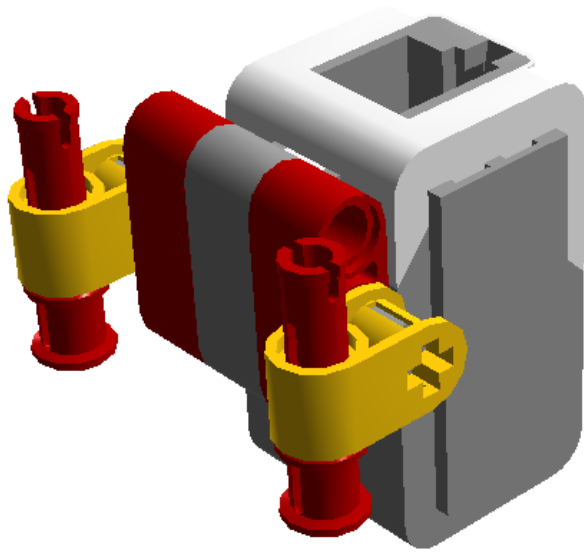
1 x



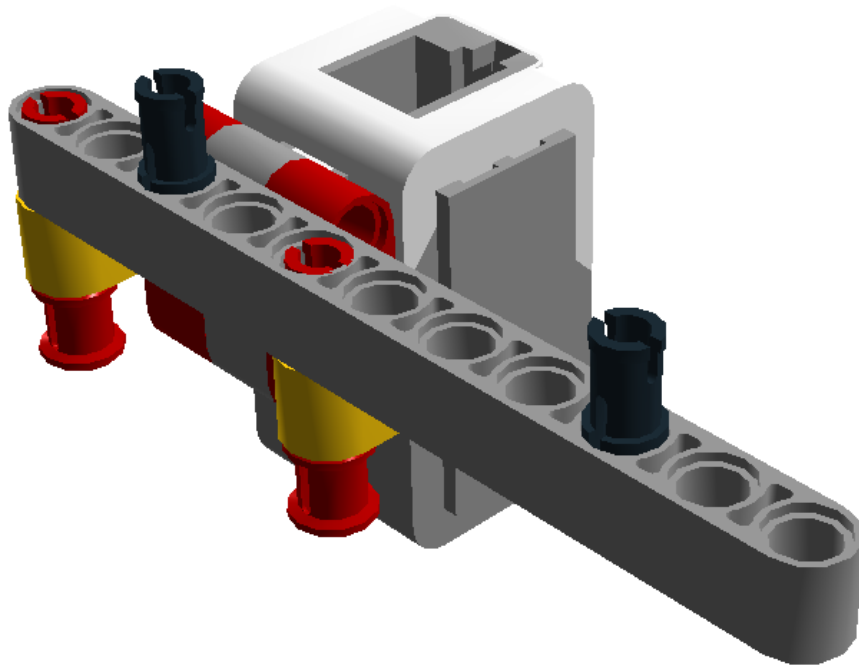
1 x



2 x

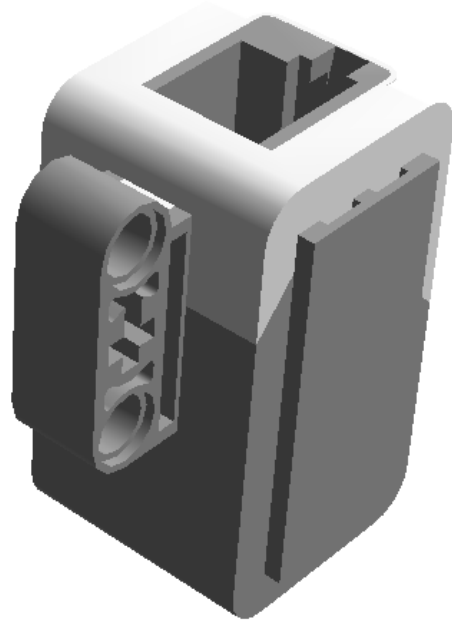


Step 6 of 10



Step 7 of 10

1 x



Step 8 of 10

1 x



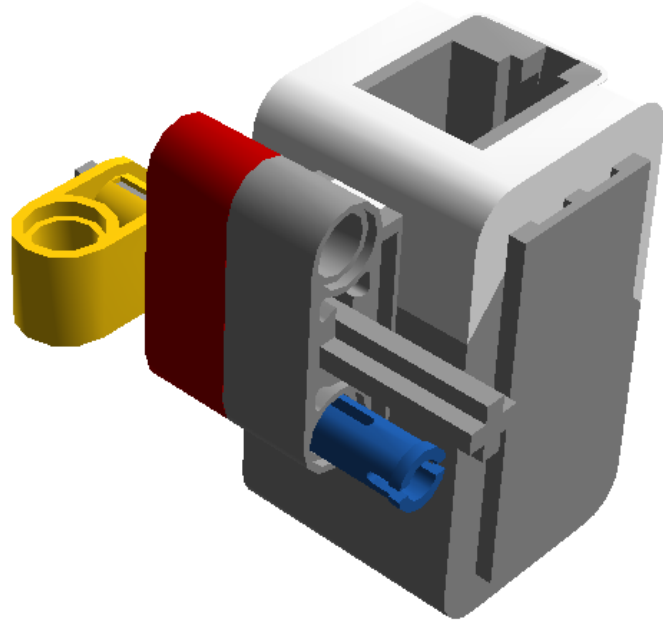
1 x



1 x



1 x



Step 9 of 10

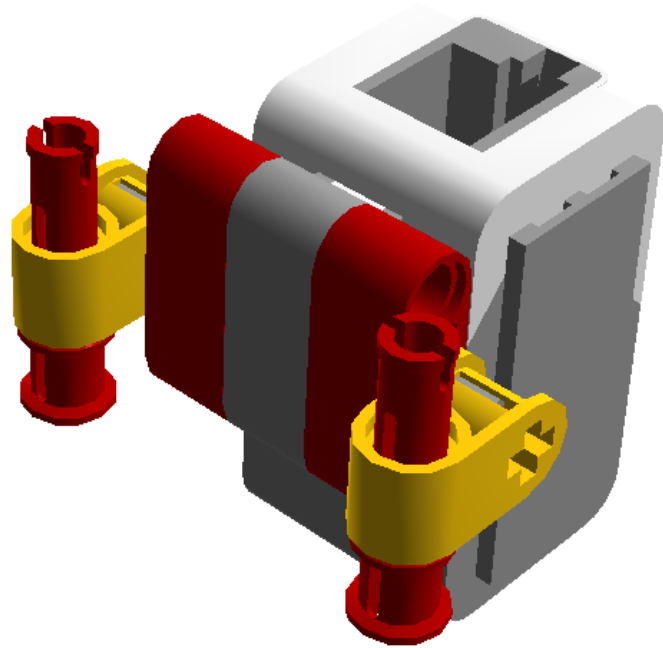
1 x

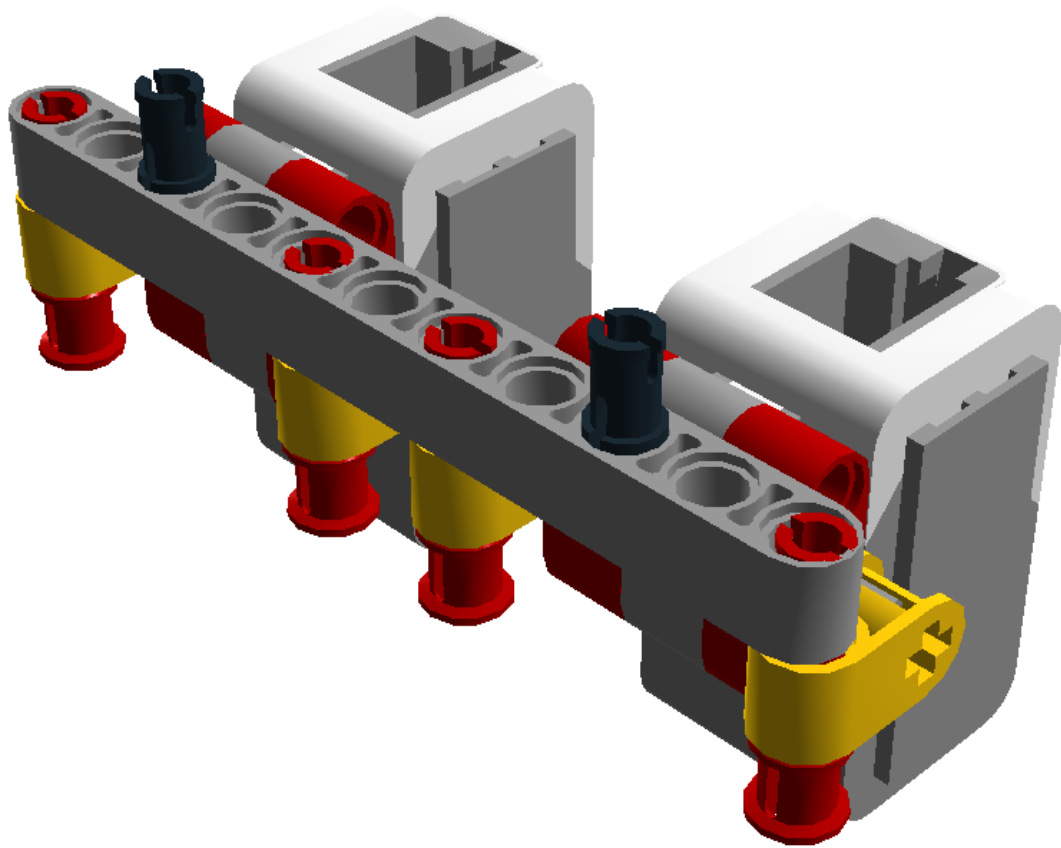


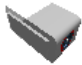
1 x



2 x







2 x  6008919 MS, EV3, SENSOR,
COLOUR - White,Bright
Red,Black,Medium
Blue,Medium Stone Grey

4 x  4153718 TECHNIC 3M BEAM - Bright
Red

1 x  4156151 TECHNIC 11M BEAM -
Medium Stone Grey

2 x  278026 CONNECTOR PEG W.
FRICTION - Black

2 x  4514553 CONNECTOR PEG W.
FRICTION 3M - Bright Blue

2 x  4211639 CROSS AXLE 5M - Medium
Stone Grey

4 x  4107078 CROSS BLOCK 90° - Bright
Yellow

4 x  4125198 2M FRIC. SNAP W/CROSS
HOLE - Bright Red

